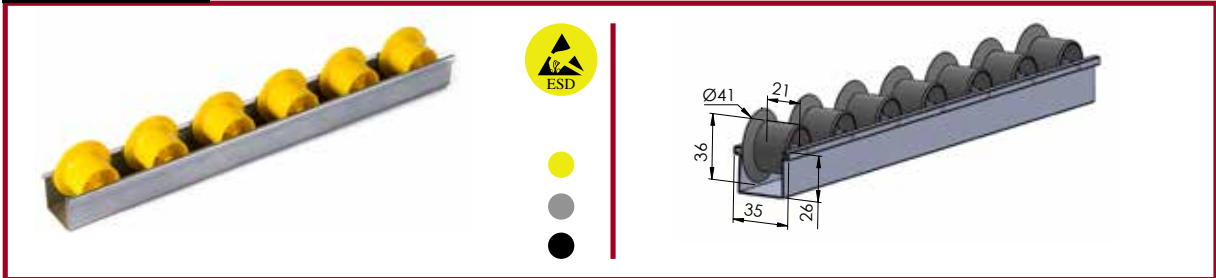


E-ROLLER

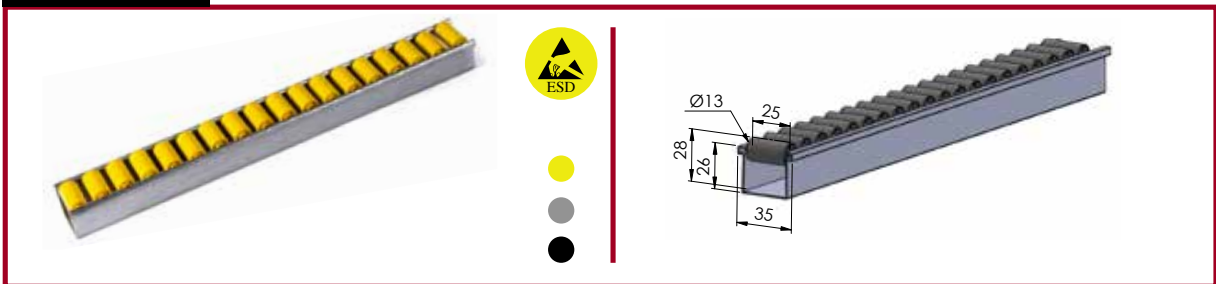
REF. P-33



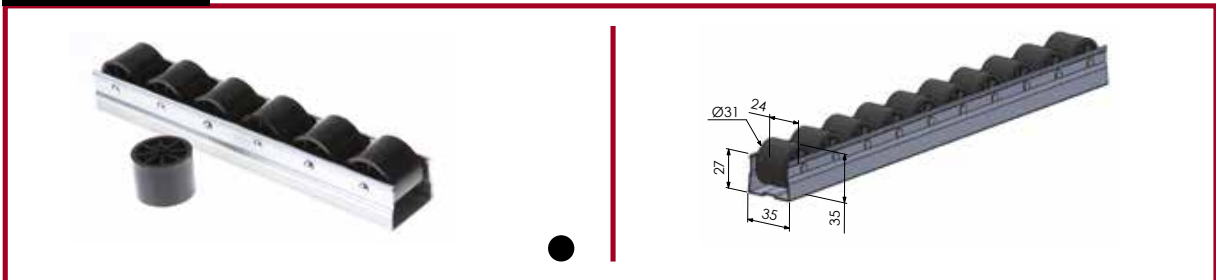
REF. P-50 ALETA



REF. P-16



REF. HI ROLLER



REF. MULTIDIRECTIONAL 1

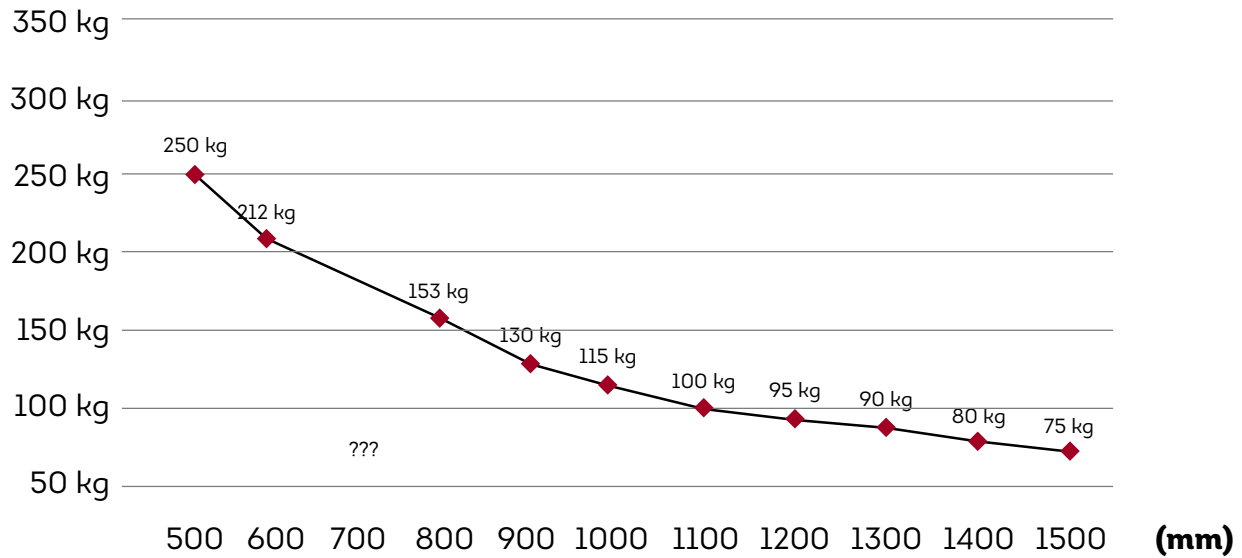


REF. MULTIDIRECTIONAL 2

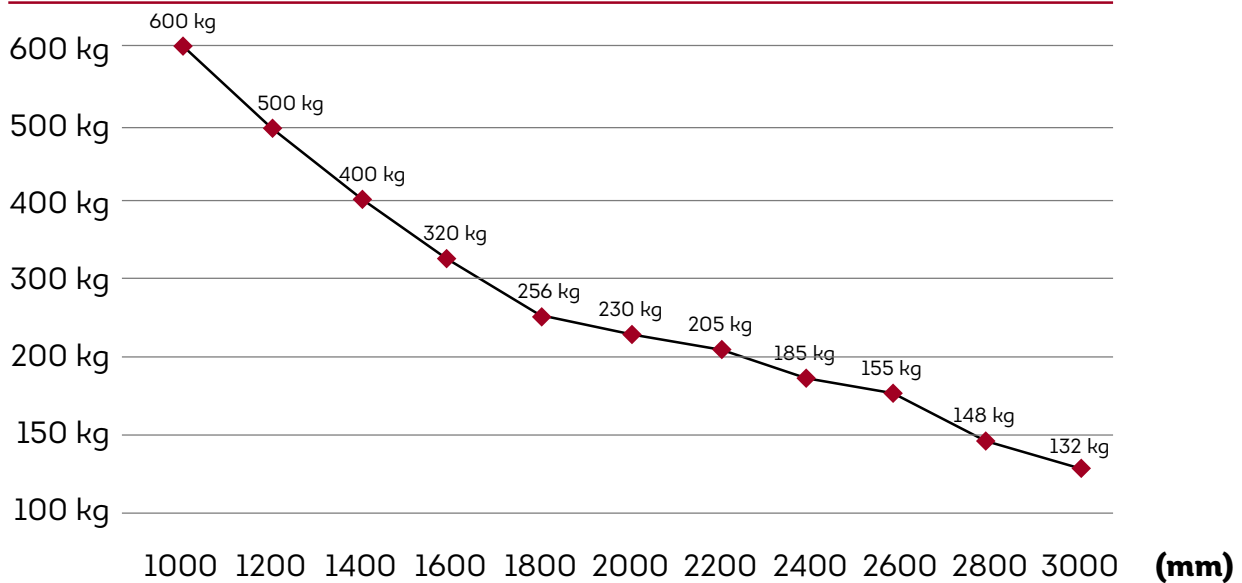


TECHNICAL FEATURES STANDARD ROLLER

WITHOUT INTERMEDIATE SUPPORT MAX DISTRIBUTED LOAD CAPACITY

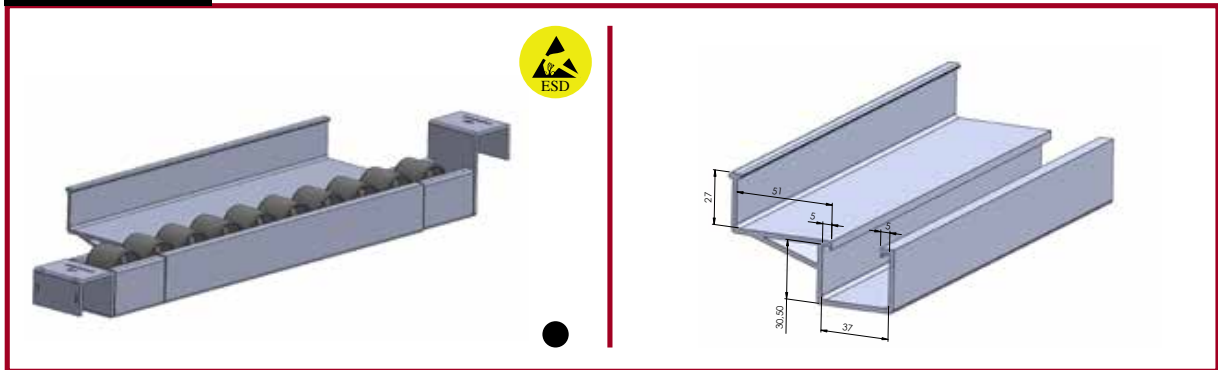


WITH INTERMEDIATE SUPPORT MAX DISTRIBUTED LOAD CAPACITY

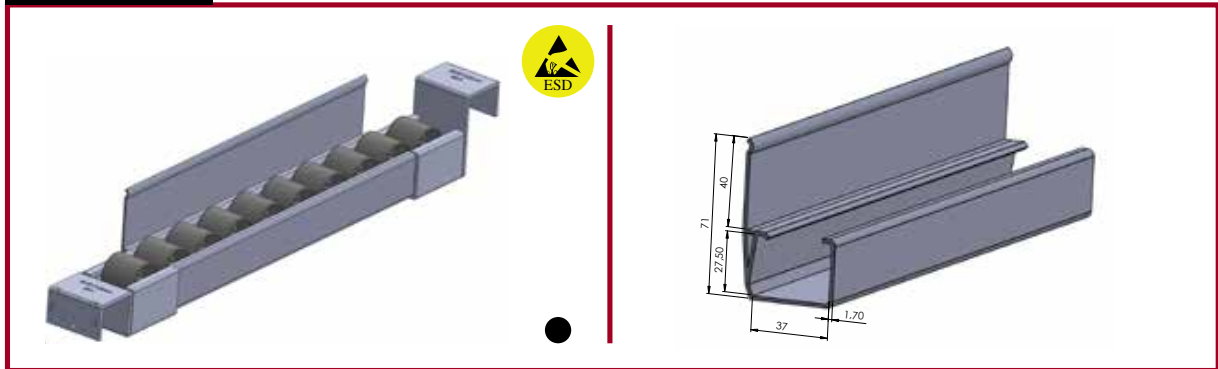


E-ROLLER

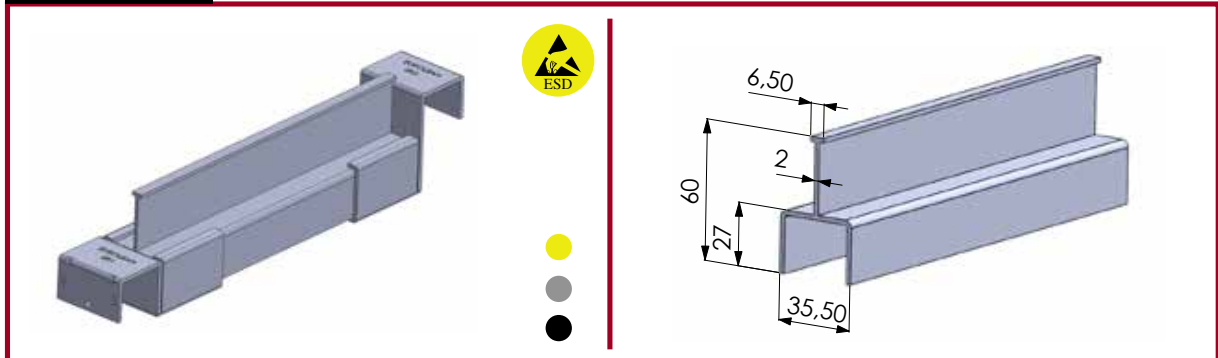
REF. PGL XL



REF. PGL M



REF. PGC



REF. NR 100 / 52



REF. NR 100 / 78



E-ROLLER

REF. SR 100 / 78



REF. PR 200/78



REF. PR 200/104



REF. PR 220/78



REF. PR 220/104



E-ROLLER • ACCESORIOS / ACCESSORIES

REF. EE



REF. BKE



REF. RSE



REF. USE



REF. VE



REF. ESCHÉ



REF. PEE



REF. PES



REF. TAR



REF. BR



REF. CLIP AO



REF. CLIP FIX



